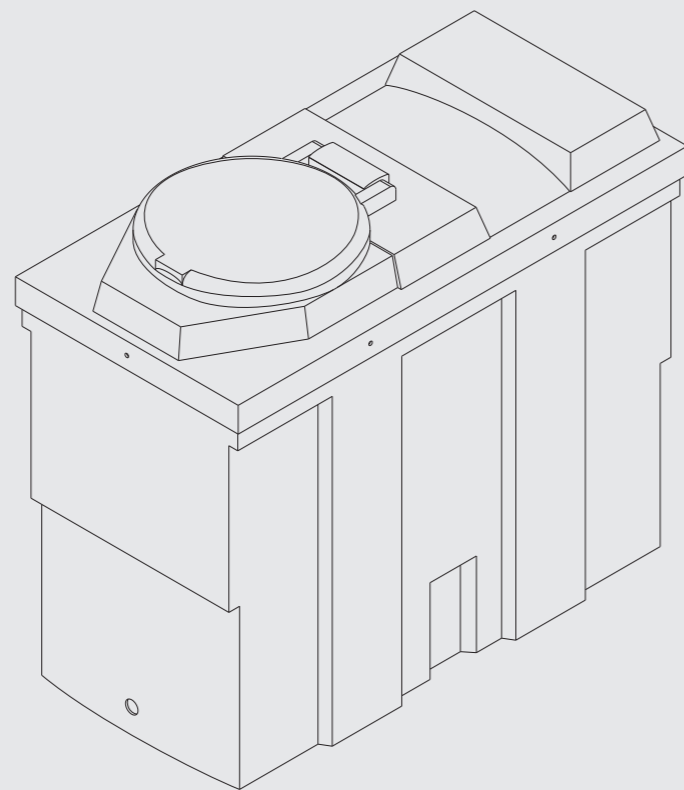


DESO

ENGINEERING

Deso Engineering
Slade Way
Roughmoor Industrial Estate
Williton
Somerset
TA4 4TB

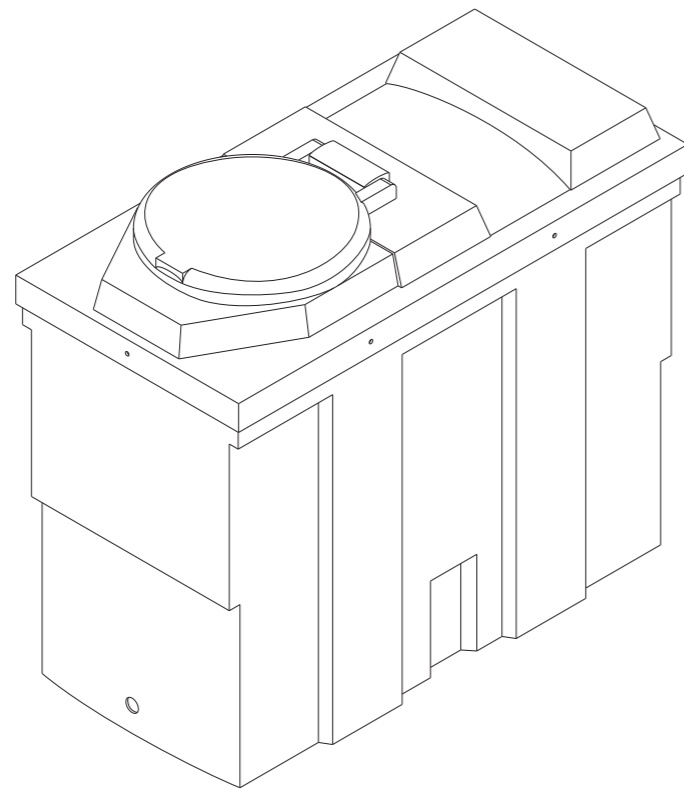
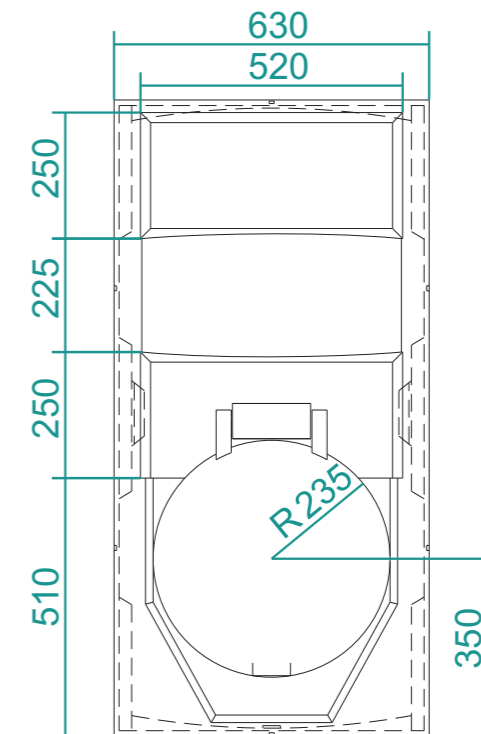
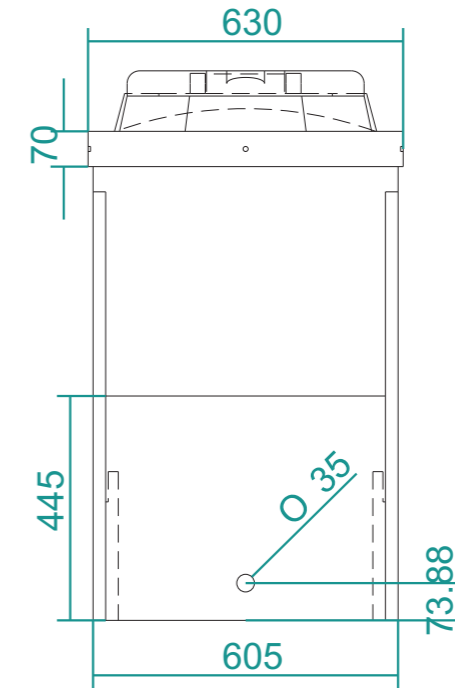
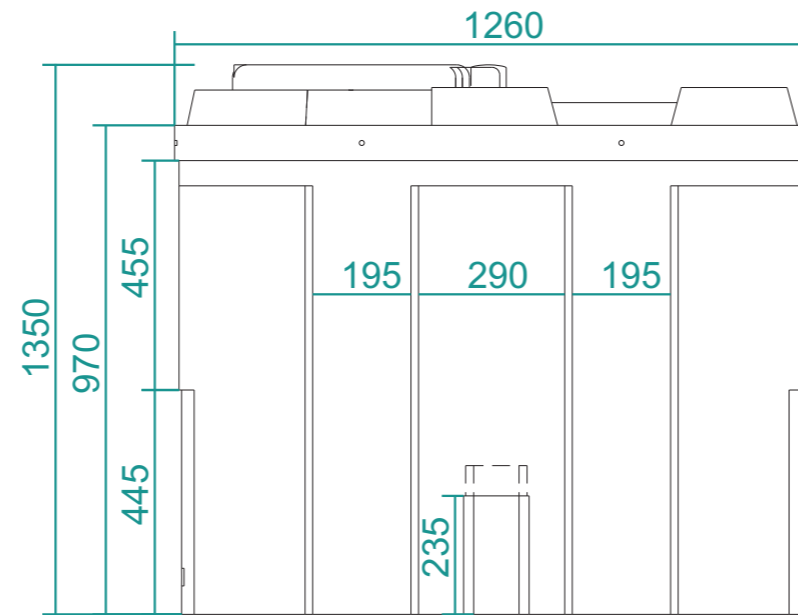
Telephone - 01984 632026
Fax - 01984 634267
sales@desoengineering.co.uk



SL650B

Weight	85kg
Capacity	650litres
Diameter	-
Length	1260mm
Width	630mm
Height	1350mm
Ofcert licence No.	

SL650B



SL500B	No. 1 of 1	3rd Angle Orthographic	scale: 1:15	Design by Inky Design www.inky-design.co.uk
DESO ENGINEERING Telephone - 01984 632026		drawn by: Jonathan Taphouse (BEng)		
		date: 25 - 05 - 2010	ISO	