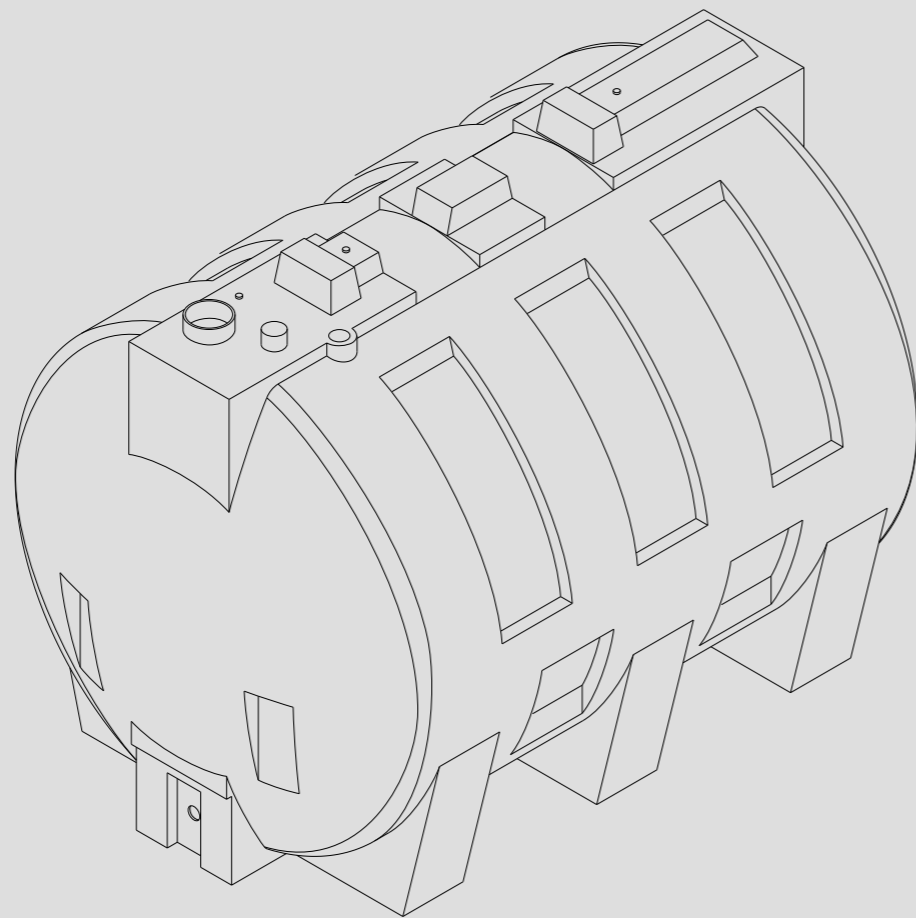


DESO

ENGINEERING

Deso Engineering
Slade Way
Roughmoor Industrial Estate
Williton
Somerset
TA4 4TB

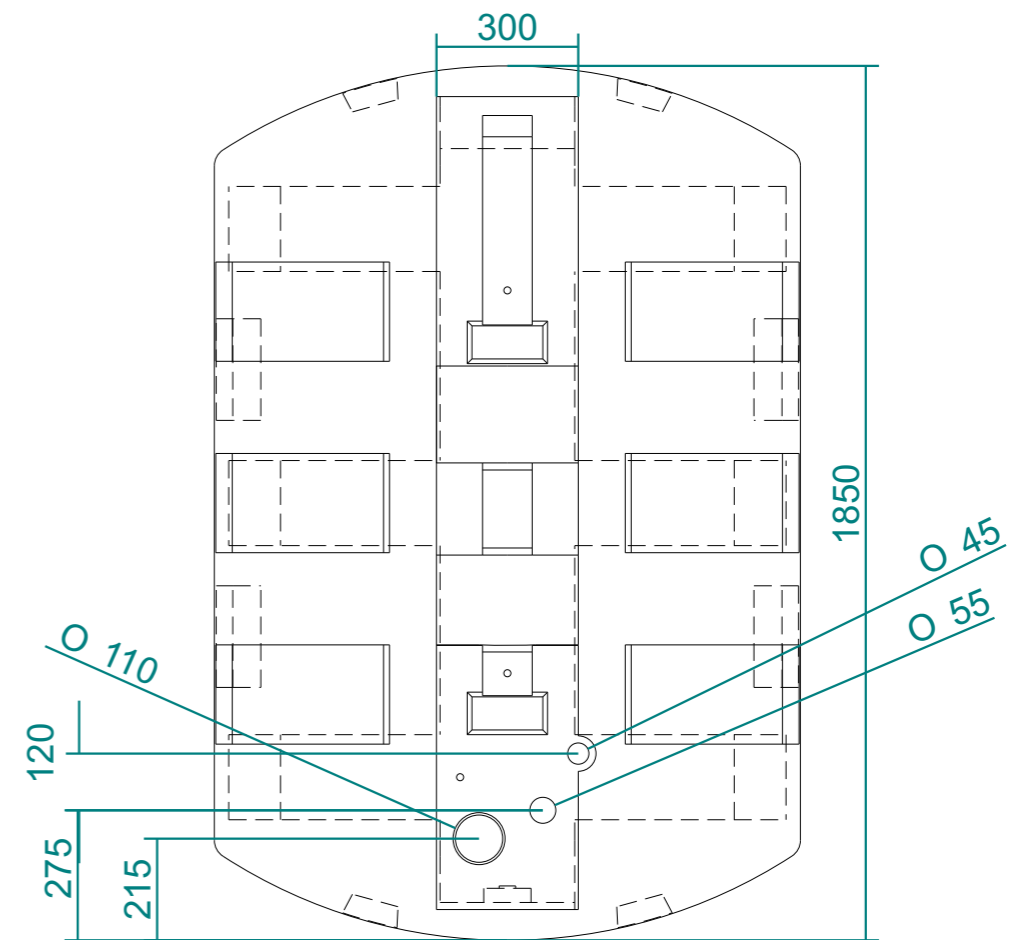
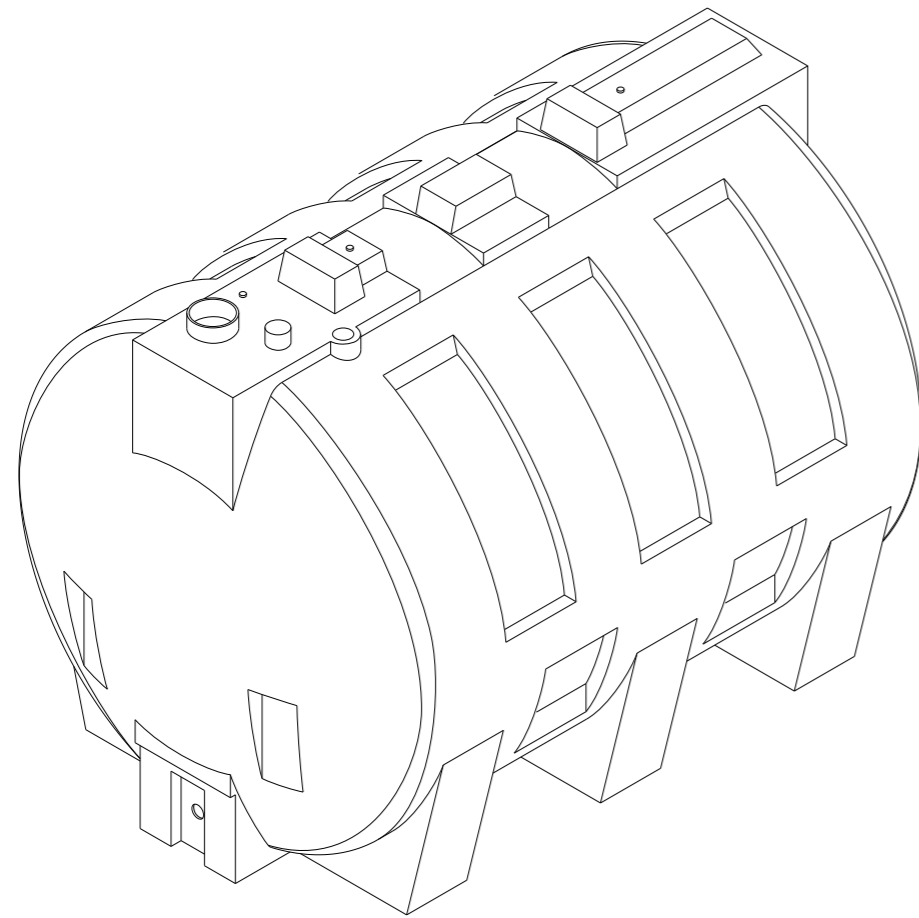
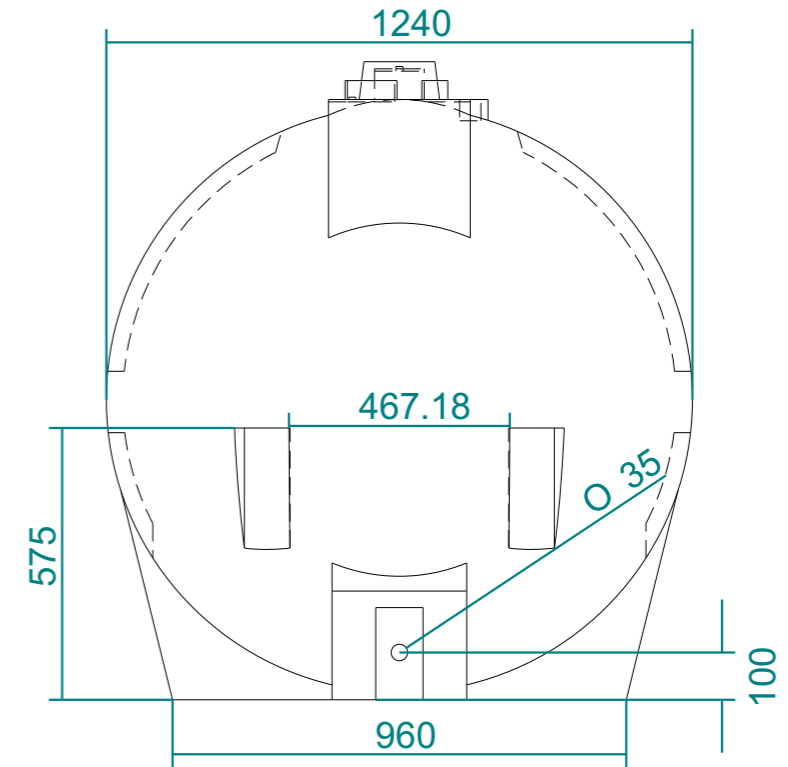
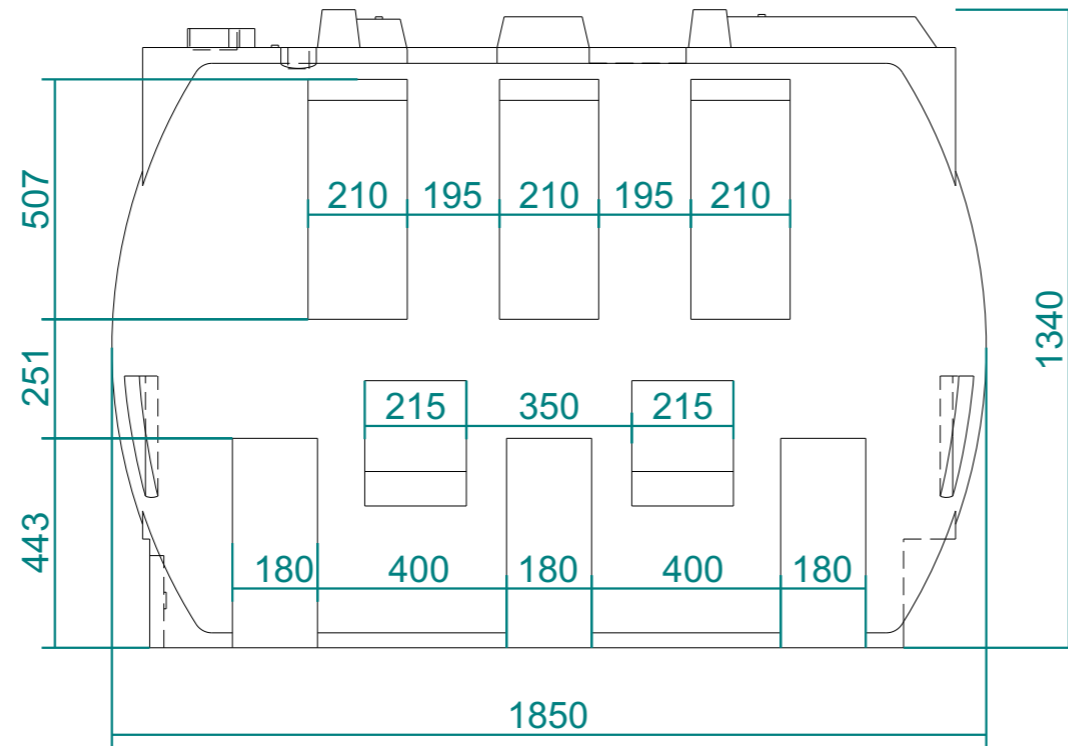
Telephone - 01984 632026
Fax - 01984 634267
enquiries@desoengineering.co.uk



H1900

Weight	65kg
Capacity	1900litres
Diameter	-
Length	1850mm
Width	1240mm
Height	1340mm
Ofcert licence No.	0668030702

H1900



H1900	No. 1 of 1	3rd Angle Orthographic	scale: 1:16	Design by Inky Design www.inky-design.co.uk
DESO ENGINEERING Telephone - 01984 632026		drawn by: Jonathan Taphouse (BEng)		
		date: 12 - 09 - 2010	ISO	